



## What is included in a demo pod?

- » 1 demo unit with storage
- » 1 header sign (for company logo)
- » Labor to install/dismantle units
- » Internet connectivity (512 bps)
- » 10 amps of electricity
- » 100 pounds drayage
- » 3 days cleaning
- » 1 wastebasket
- » 1 clamp light for header

Panel A – Visible panel size  
between header & counter  
top 37" w x 42 3/4" h.  
Additional branding  
opportunity

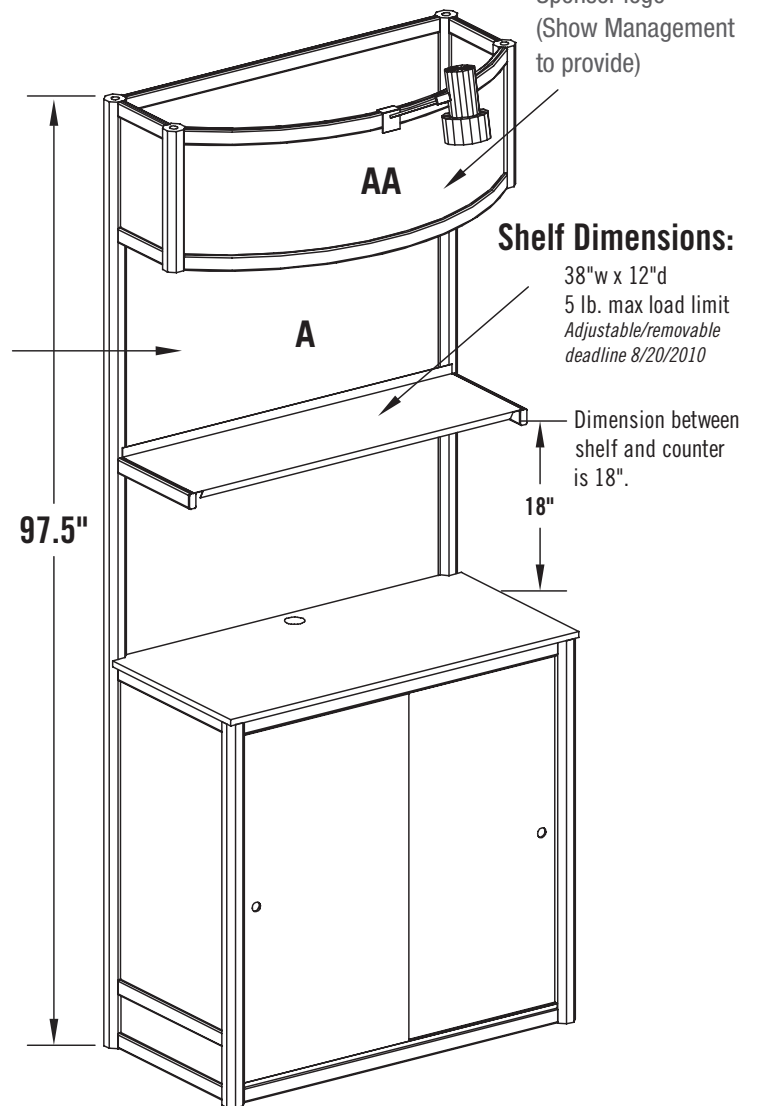
(Sponsor to order through  
Champion)

Header Panel AA –  
Sponsor logo  
(Show Management  
to provide)

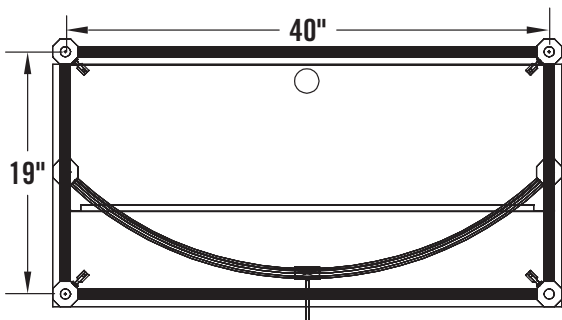
### Shelf Dimensions:

38" w x 12" d  
5 lb. max load limit  
Adjustable/removable  
deadline 8/20/2010

Dimension between  
shelf and counter  
is 18".



### Top View



CO-PRODUCED BY

O'REILLY



©2010 O'Reilly Media and UBM TechWeb. All rights reserved.