

# Demo Pod - Panel A

Web 2.0 Expo  
September 28 - 30, 2010

Company Name		Booth Number	
Street Address			
City	State	Zip	Country
Contact Name		Email Address	
Telephone (      )		Fax (      )	

**Advance Order Discount Deadline: September 13, 2010**

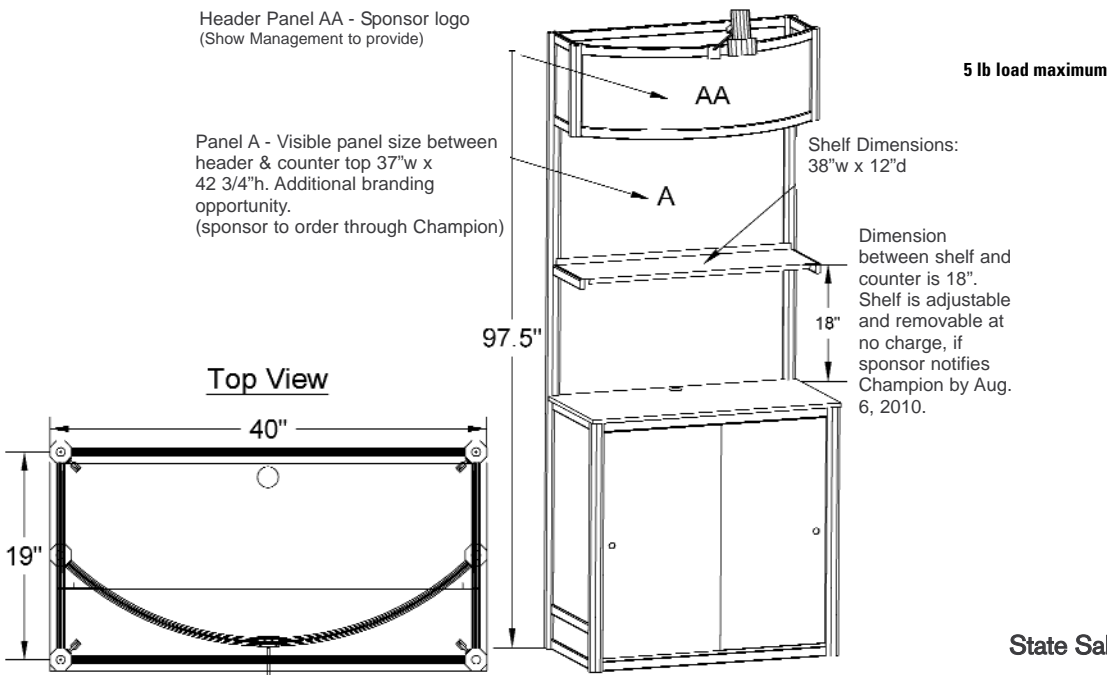
If exhibitors would like to order artwork for the back panel, the rate will be **\$204.46** if ordered by the advance order deadline date. If ordered after the advance deadline date there is a 20% charge.

Add your company's logo/image for an additional cost. Artwork must be submitted by the customer. If work must be done by Champion (i.e. scanning of artwork), additional charges will added. Please send all logos and/or artwork as well as any questions or quote requests to [logos@championexpo.com](mailto:logos@championexpo.com).

The Panel A dimensions are 37"w x 42-3/4"h from the bottom of the header to the top of the counter. Artwork will have a one inch border so that the metal frame does not cover any portion of the sign.

The middle shelf of the Demo Pod can be removed or adjusted to a specific height. Requests for this must be made prior to move in to avoid the labor charge if requested on site. Requests made at show site will be charged 50% of the labor rate.

Description	Quantity	Advance Order Discount Price	Standard Price	Amount
37" x 42-3/4" Sign.....	<input type="text"/>	\$ 204.46	\$ 245.14	\$ <input type="text"/>
Logos .....	<input type="text"/>	Please call for quote		\$ <input type="text"/>



Sub-Total:	\$ <input type="text"/>
State Sales Tax (8.875%):	\$ <input type="text"/>
<b>Total:</b>	\$ <input type="text"/>